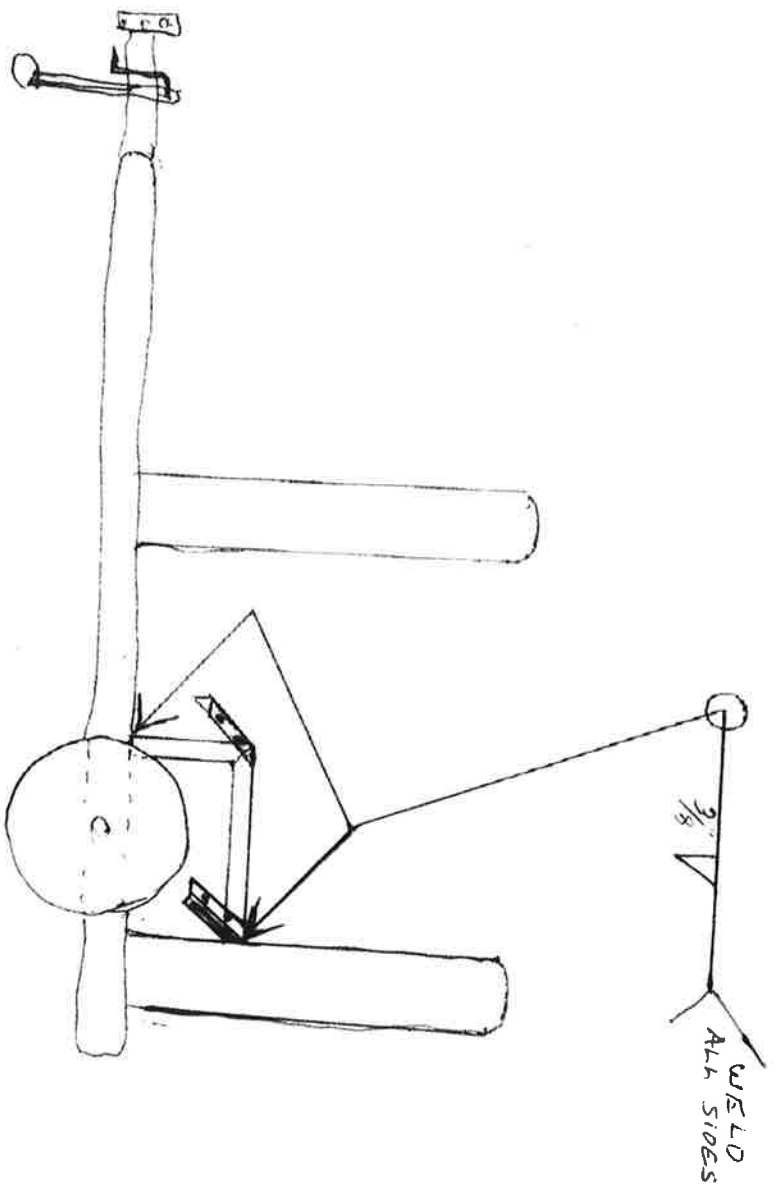
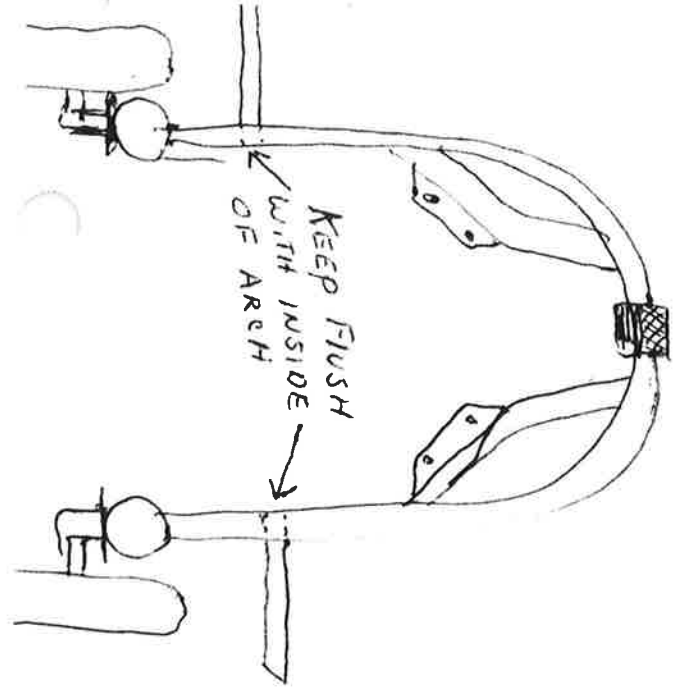
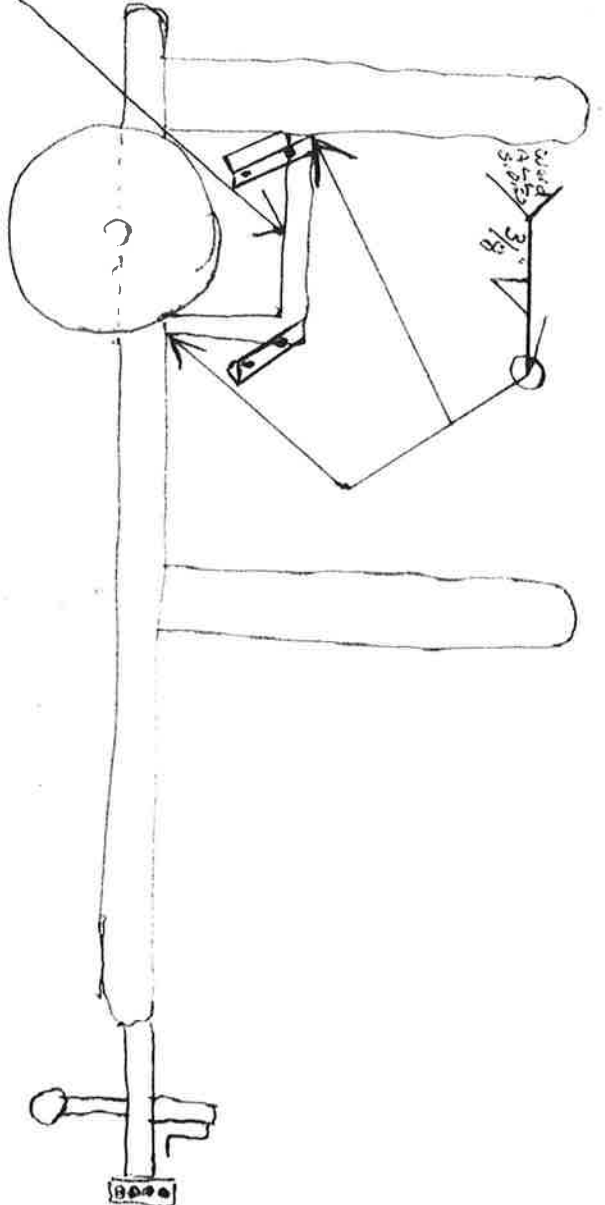
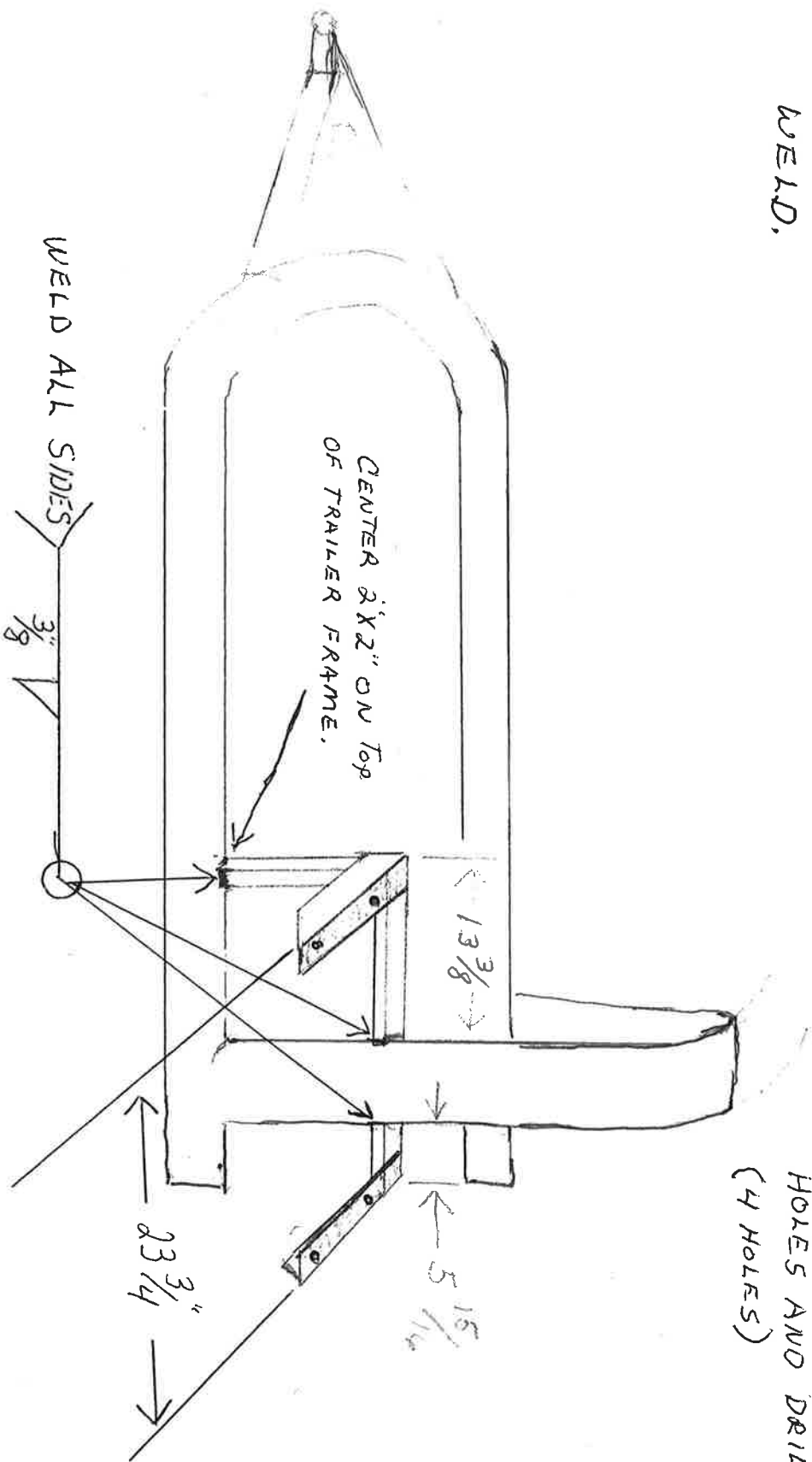


FRAME SHOULD
BE PARALLEL WITH MAIN
FRAME OF TRAILER



FENDER Mount. Instructions For Classic 2

① ALIGN FENDER BRACKET OVER CENTER OF WHEEL. CUT $4\frac{3}{8}$ " OUT OF THE 2" ANGLE. LEVEL FRAME AND WELD.



② AFTER FRAME IS WELDED SLIDE FENDER OVER BRACKET. ALIGN FENDER WITH SIDE OF TRAILER FRAME. MARK HOLES AND DRILL $\frac{9}{16}$ " HOLE. (4 HOLES)